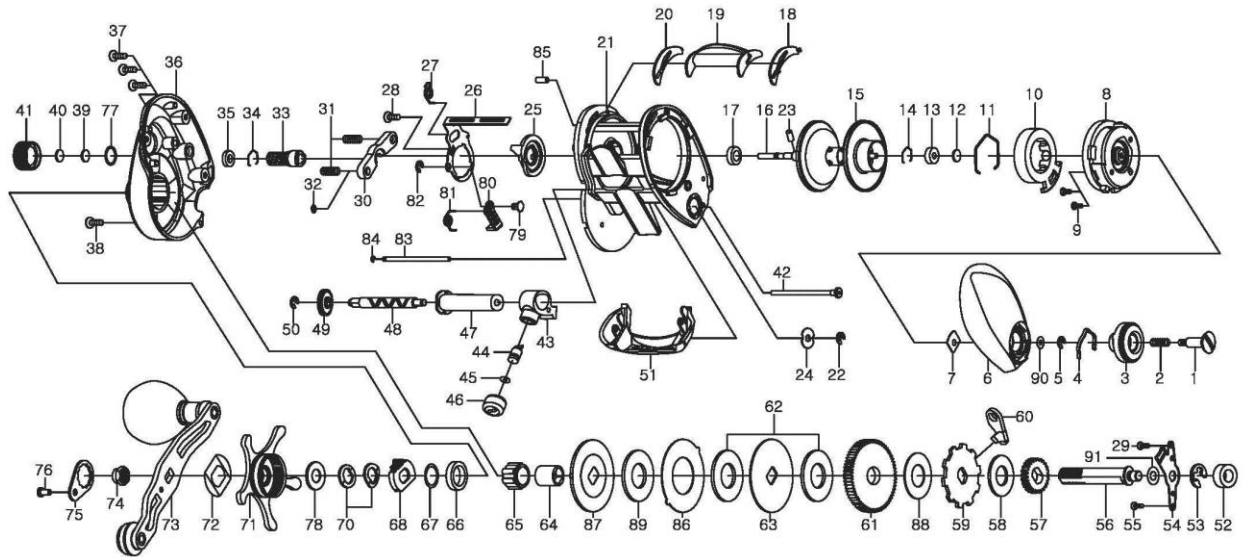




BAITCASTING REEL

LEXA-HD 300XSL-P

Please order by parts number, not key number
 Veuillez indiquer le numéro de la pièce (Non "Key" No.)



KEY No.	PART No.	PART NAME	KEY No.	PART No.	PART NAME
1	460-5570	SET PLT SCREW	47	270-0810	LEVEL WING GUARD
2	510-4450	SET PLT SPRING	48	470-1960	WORM SHAFT
3	550-1610	BRAKE ADJ. KNOB	49	240-2210	WORM SHAFT GEAR
4	510-5180	BRAKE CLICK SPRING	50	200-0530	RET
5	200-0530	BRAKE DIAL RET (A)	51	550-1641	FRONT PLT
6	230-2385	R/S PLT	52	140-1280	BALL BEARING
7	410-1911	BRAKE DIAL RET (B)	53	200-0580	DRIVE GEAR SHAFT RET
8	230-2390	SET PLT	54	410-2550	PLATE
9	460-3220	SCREW	55	460-5290	SCREW
10	240-1952	MAGNET HOLDER	56	470-1951	DRIVE SHAFT
11	430-1070	MAGNET HOLDER RET	57	240-2200	OSC GEAR
12	540-5990	SPACER (A)	58	540-7010	WASHER
13	140-1500	BALL BEARING	59	240-2550	A/R RATCHET
14	430-1061	BEARING RETAINER	60	530-0860	A/R PAWL
15-17	700-9860	SPOOL ASSEMBLY	61	250-1650	DRIVE GEAR
18	410-1970	SPACER (B)	62	540-6890	DRAG WASHER
19	090-0280	CLUTCH LEVER	63	540-8010	KEY WASHER
20	410-1960	SPACER ©	64	150-2200	GEAR SHAFT COLLAR
21	110-1045	FRAME	65	140-1370	ROLLET CLUTCH
22	200-0530	RET	66	140-0570	BALL BEARING
23	400-2250	SPOOL PIN	67	540-6340	SPACING WASHER
24	540-6060	WORM SHAFT WASHER	68	510-5370	PLATE
25	170-1271	CLUTCH CAM	70	540-6390	DRAG SPRING WASHER
26	410-2610	PLATE	71	700-7180	STAR DRAG
27	510-5162	SPRING	72	510-3260	LEAF SPRING (B)
28	460-1290	SCREW	73	700-8940	HANDLE ASSEMBLY
29	460-5370	SCREW	74	380-1810	HANDLE NUT
30	410-2880	YOKE	75	350-0310	HANDLE NUT PLT
31	510-5190	YOKE SPRING	76	460-5390	SCREW
32	540-6020	WASHER	77	430-1080	O-RING
33	260-2160	PINION GEAR	78	540-9021	WASHER
34	430-1061	BEARING RETAINER	79	400-3311	KICK LEVER PIN
35	150-2060	BUSHING	80	330-2850	KICK LEVER
36	230-2375	L/S PLT	81	510-5130	KICK LEVER SPRING
37	460-7010	SCREW	82	200-0570	E-CLIP
38	460-5600	SCREW	83	400-2660	PILLAR
39	540-6850	SPACER (D)	84	200-1160	RET
40	540-4340	SPACER €	85	400-2570	PIN
41	380-1792	CAST CONTROL CAP	86	540-8030	WASHER
42	460-4980	LONG SCREW	87	540-8020	KEY WASHER
43	490-1080	LINE GUIDE	88	540-7030	WASHER
44	400-2540	LINE GUIDE PAWL	89	540-8080	WASHER
45	540-3980	WASHER	90	540-5380	WASHER
46	380-0780	LINE PAWL CAP	91	540-6600	WASHER