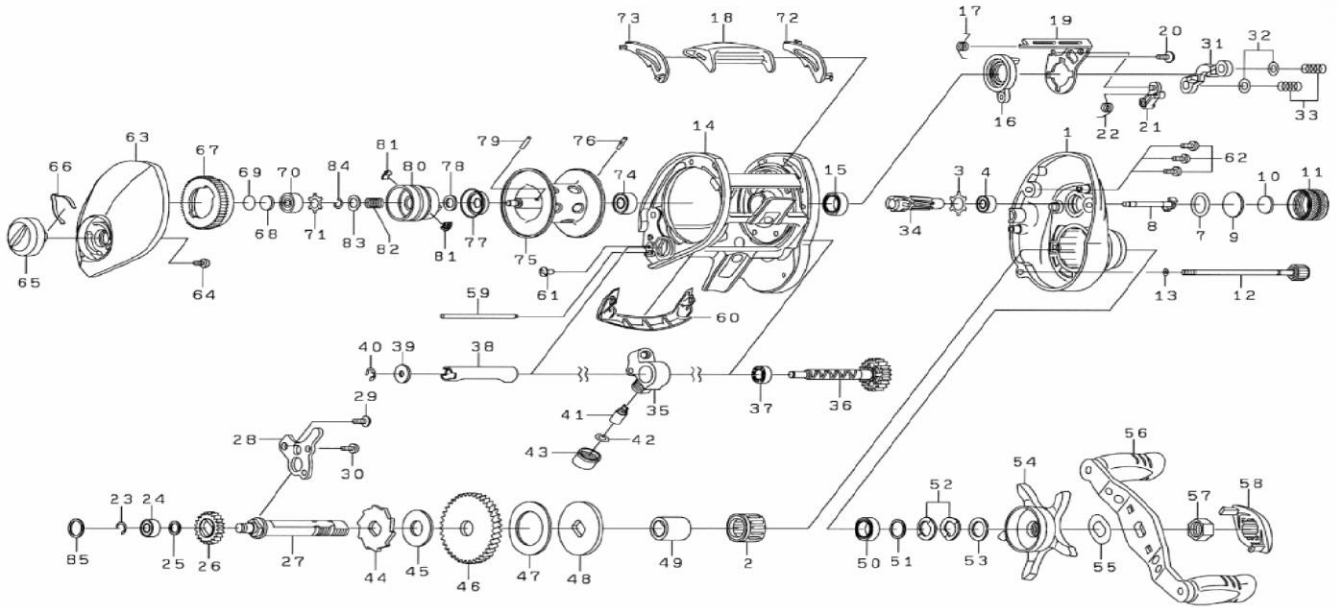




Please order by parts number, not key number
 Veuillez indiquer le numéro de la pièce.

BAITCASTING REEL

EXCELER 100P



Key No.	Parts No.	Parts Name	Key No.	Parts No.	Parts Name
1	H00-0622	Right side plate	40	320-5901	Worm shaft retainer
2	G93-0501	Roller clutch	41	F51-6501	Line guide pawl
3	H18-0601	Bearing retainer (A)	42	373-1300	Line guide washer
4	B35-8607	Ball bearing (A)	43	F40-2801	Pawl cap
7	B05-5201	"O" ring (A)	44	G93-4301	Clutch wheel
8	G93-1001	Pinion Shaft	45	G93-4401	Drive shaft washer
9	375-7501	Spool adjusting cap metal	46	H49-8401	Drive gear (B)
10	B17-5503	Spacer (A)	47	G93-4601	Drag washer
11	H21-3601	Cast control cap	48	G93-4701	Key washer
12	G93-1101	Right side plate screw (A)	49	G93-4801	Gear shaft collar
13	B85-3101	"O" ring (B)	50	B86-1704	Ball bearing (B)
14	H01-3414	Frame assembly	51	B55-3801	Bearing washer
15	B86-1704	Ball bearing (B)	52	150-8901	Drag spring washer
16	G93-1601	Clutch cam (A)	53	373-7810	Spacing sleeve
17	G93-1701	Clutch cam spring (A)	54	H10-8901	Star drag
18	G93-1801	Clutch lever	55	150-9001	Friction washer
19	G93-1901	Clutch cam (B)	56	H01-3802	Handle assembly
20	352-2501	Clutch cam screw	57	F84-9903	Handle nut
21	G93-2001	Clutch trip lever	58	G96-9901	Handle nut plate
22	G93-2101	Clutch cam spring (B)	59	H00-2401	Stabilizer bar
23	320-8002	Retainer (A)	60	H01-4202	Front plate
24	B35-8607	Bell bearing (A)	61	G61-1501	Front plate screw
25	E09-6501	Washer (A)	62	351-1001	Right side plate screw (B)
26	G93-2201	Drive gear (A)	63	H19-0401	Left side plate
27	G93-2301	Drive shaft	64	F21-2201	Set plate screw
28	G93-2401	Drive shaft retainer	65	G93-6209	Brake adjusting knob
29	352-2501	Drive shaft retainer screw (A)	66	H08-4401	Brake click spring
30	351-1001	Dave shaft retainer screw (B)	67	H02-9701	Magnet holder
31	G93-3501	Yoke	68	375-7411	Spacer (B)
32	B41-1706	Yoke washer	69	375-7404	Spacer (C)
33	G85-0301	Yoke spring	70	G51-1505	Ball bearing (C)
34	H49-8301	Pinion gear	71	H18-0501	Bearing retainer (B)
35	H00-1703	Line guide	72	H01-3501	Spacer (D)
36	G93-9901	Worm shaft assembly	73	H01-3601	Spacer (E)
37	G05-1701	Bearing (A)	74-84	Z01-9744	Spool assembly
38	G93-4201	Level wind guard	85	H30-6600	Washer (B)
39	F65-5501	Worm shaft washer			